



A SAMSUNG DISPLAY COMPANY

WUXGA DESIGN REFERENCE BOARD

For Use with all eMagin WUXGA OLED Microdisplays

USER'S MANUAL VERSION 1.0

TABLE OF CONTENTS

1. INTRODUCTION	1
2. FEATURES.....	1
2.1. Software Features	1
3. SYSTEM REQUIREMENTS & SPECIFICATIONS.....	1
3.1. System Requirements	1
3.2. WUXGA Design Reference Board	2
4. INTERFACE CONNECTIONS & SETUP	3
4.1. Setup Flow Chart.....	3
4.2. Connect Display to the Design Reference Board	4
4.3. Setup PC for Proper Video Output	4
4.4. Power Up	5
4.5. Power Down	5
4.6. Brightness	5
5. USING THE WUXGA DESIGN REFERENCE BOARD SOFTWARE.....	5
5.1. Serial Interface Command Set	5
5.2. WUXGA Design Reference Board Software Utility.....	5
5.2.1. Hardware Protocol.....	7
5.3. Downloading New Firmware Versions to the Design Reference Board	8
5.3.1. Using the Firmware Download Utility	8
6. ADVANCED USER INFORMATION	10
6.1. Microcontroller	10
6.2. I ² C bus.....	10
6.3. System Hardware Overview.....	10
6.4. Voltages	11
6.5. Bias Control.....	11
6.6. VCOM Mode.....	12
6.7. Gamma	12
6.7.1. Gamma Coefficients GC(0-8)	12
6.7.2. Preset Gamma Table descriptions.....	13
6.7.3. Using "Update LUT" Button for Auto-Gamma Correction	13
6.7.4. Loading the LUT from a file.....	13
6.7.5. The "Read LUT" Button	13
6.7.6. System Gamma.....	14
7. FPGA.....	16
7.1. FPGA Register Map	16
8. REVISION HISTORY	16
<i>Figure 3-1 WUXGA Design Reference Board.....</i>	<i>2</i>
<i>Figure 4-1 DRK Setup Flow Chart</i>	<i>3</i>
<i>Figure 5-1 Firmware download utility.....</i>	<i>8</i>

1. INTRODUCTION

The WUXGA Design Reference Board provides the user a way of operating and testing an eMagin WUXGA OLED Microdisplay. This product was designed to deliver a complete tool for developers to evaluate and integrate eMagin WUXGA microdisplays into new products. The included software package provides access to the microdisplay's on-board register settings from any Windows-based PC through a serial port and supports all three types of WUXGA OLED Microdisplays:

2. FEATURES

- DVI Video Input
- RS-232 (serial) interface allows access to microdisplay registers
- Supporting Software (Windows)
- ON/OFF power switch

2.1. Software Features

- Read/write capabilities allow adjustments of microdisplay register settings to fine-tune image characteristics
- Software register control over the cathode voltage (V_{common}) input
- Software register control over the microdisplay's brightness
- Download and install new firmware files into your WUXGA Design Reference Board for easy upgrades and expanded functionality
- Save feature stores custom register settings for convenience

3. SYSTEM REQUIREMENTS & SPECIFICATIONS

3.1. System Requirements

- For digital RGB inputs: A PC capable of producing a digital video output compliant with the DVI standard.
- Support software requires a Windows PC with an RS-232 serial port

3.2. WUXGA Design Reference Board

The WUXGA Design Reference Board is shown in figure 3-1 below. The major components are labeled for easier identification. The minimum requirements for displaying video on the WUXGA Design Reference Board are; a +9 Volt power supply connected to the power connector, a digital video source connected to the DVI connector and a WUXGA OLED connected to the display connector.

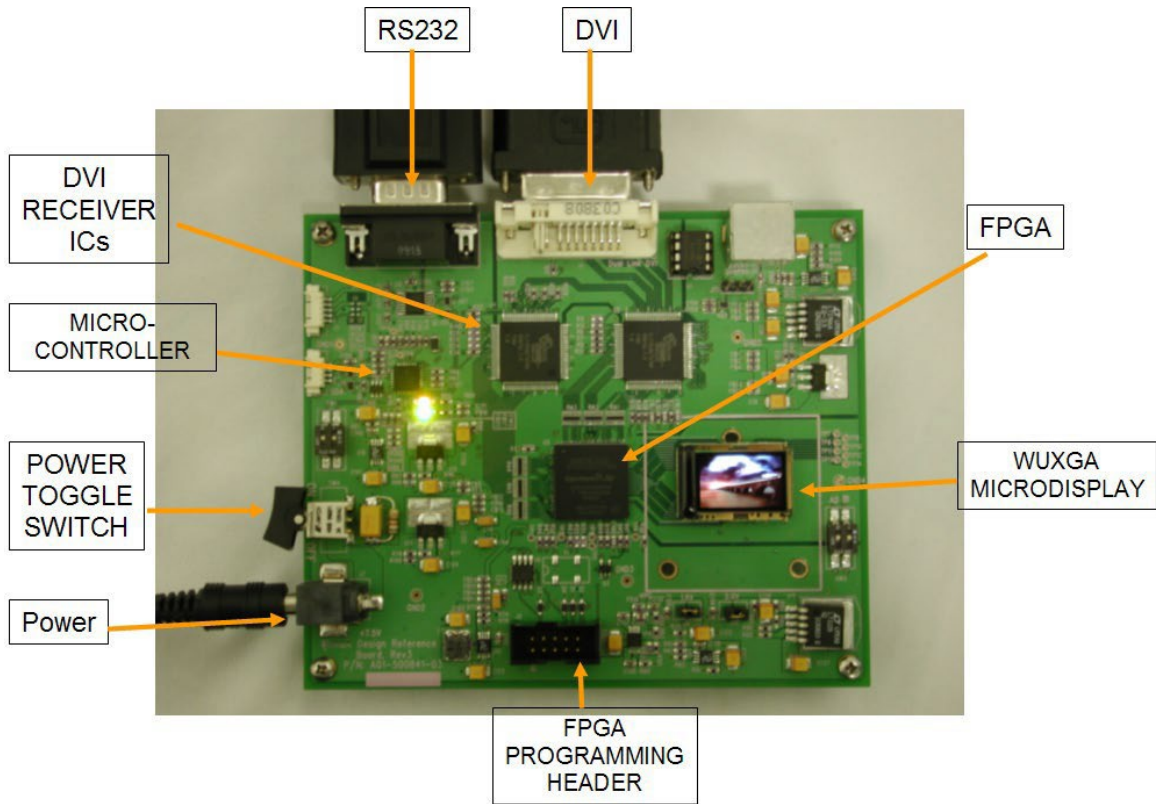


Figure 3-1 WUXGA Design Reference Board

4. INTERFACE CONNECTIONS & SETUP

4.1. Setup Flow Chart

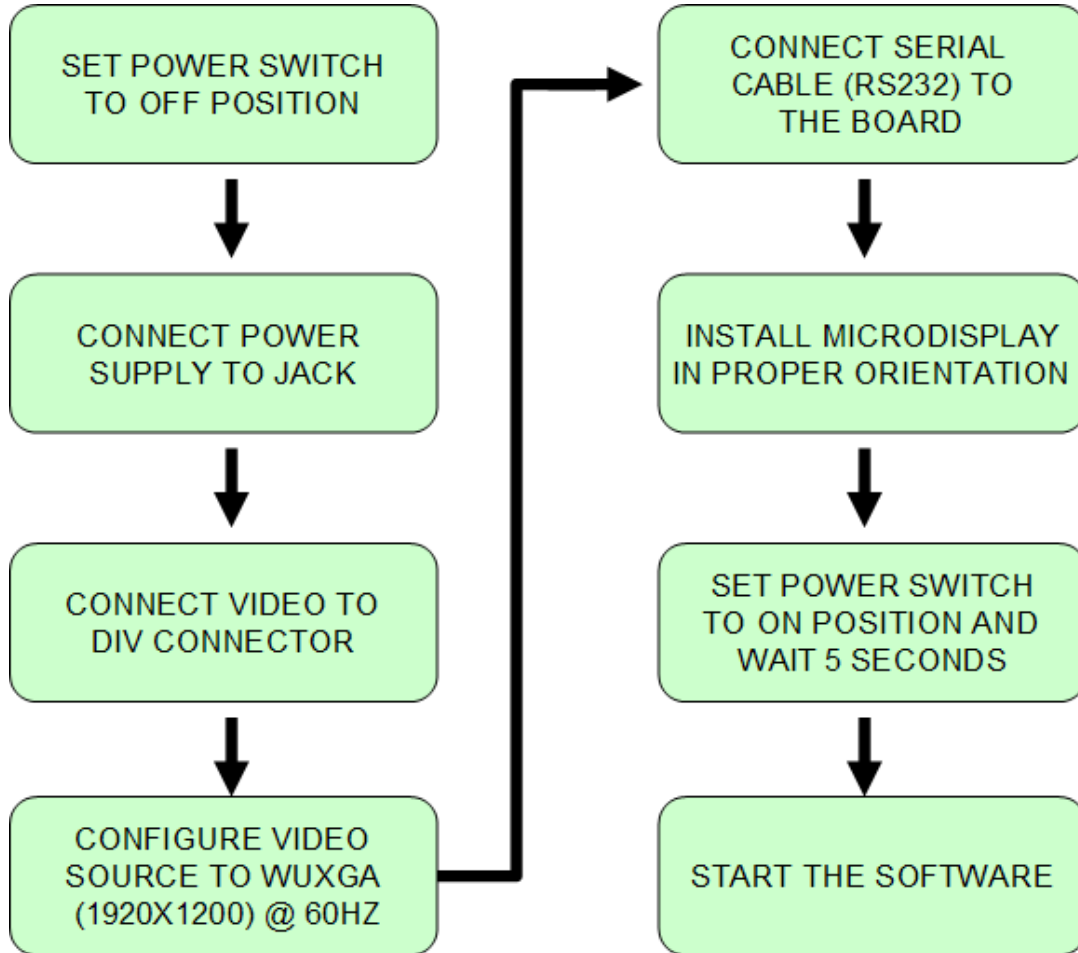


Figure 4-1 DRK Setup Flow Chart

4.2. Connect Display to the Design Reference Board

The microdisplay connects to the Design Reference Board via a 40-pin board-to-board connector. The present version of the connector is **NOT** keyed so it is important to correctly orient the display. Refer to the picture below for the proper orientation. The Display Carrier board is connected as shown in figure 4-2 below.

Note: The WUXGA OLED can be damaged if it is not connected properly.

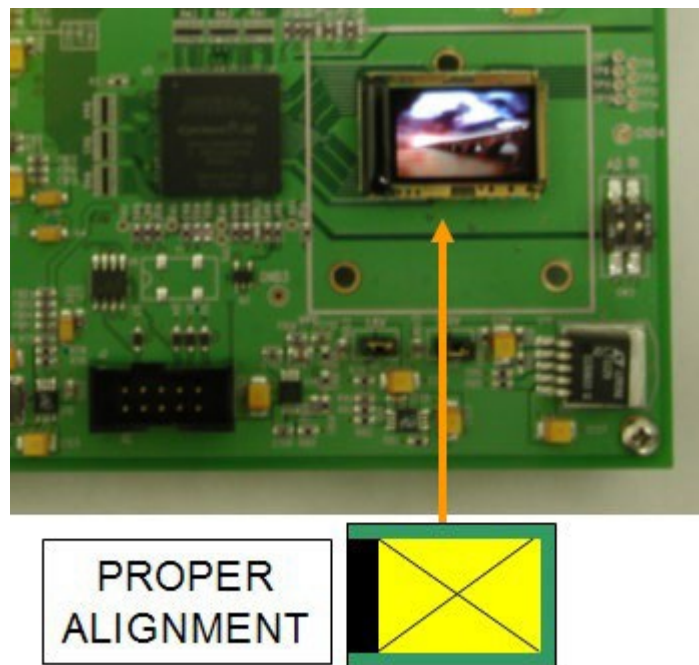


Figure 4-2 Display Carrier Board Connection Orientation

Lift the display by its sides and take care not to press on the glass lid or leave fingerprint marks on it. Insert the display into the Design Reference Board.

4.3. Setup PC for Proper Video Output

- The default compatible resolution is WUXGA (1920x1200) with a refresh rate of 60 Hz. If you are using this input set the video resolution for 1920x1200 in your PC's display properties.
- Ensure that the refresh rate to set to 60 Hz, or other supported refresh rate per the display specification.
- If you are using a laptop PC, you may need to export the video signal to an external monitor. This is usually accomplished through a keypress including the Fn key + a designated function key. See your PC's operation instructions for more information.

4.4. Power Up

- Set the power switch to the ON position.

4.5. Power Down

- Set the power switch to the OFF position.

4.6. Brightness

eMagin strongly recommends that you drive the microdisplay at the minimum luminance necessary for your application. This will extend the lifetime of the display to its maximum possible lifetime. As OLED microdisplays are emissive devices, driving the microdisplay at high bias levels will decrease its overall lifetime.

5. USING THE WUXGA DESIGN REFERENCE BOARD SOFTWARE

The WUXGA Design Reference Board includes a support software suite with the following functionality.

- Perform software microdisplay brightness adjustments
- Perform software adjustments of the Vcommon input to the microdisplay
- Download and install new versions of the WUXGA Design Reference Board firmware to update or provide new functionality using an RS-232 connection
- Read/write register values to the microdisplay and FPGA to control various characteristics (see your microdisplay's User Specification for more information)

5.1. Serial Interface Command Set

The WUXGA Design Reference Board Rev. 3 can be controlled by sending commands and data using the included RS-232 cable. The software package includes a file called **WUXGA_SW_V1_3.exe** developed for this purpose.

5.2. WUXGA Design Reference Board Software Utility

1. Connect the serial cable to the PC (Port 1) and to the RS232 connector on the WUXGA Design Reference Board
2. Connect the power cable to the WUXGA Design Reference Board
3. Connect the video source to the WUXGA Design Reference Board
4. Turn on the WUXGA Design Reference Board

- Start the **WUXGA_SW_V1_3.exe** application and a screen should appear like that shown below:

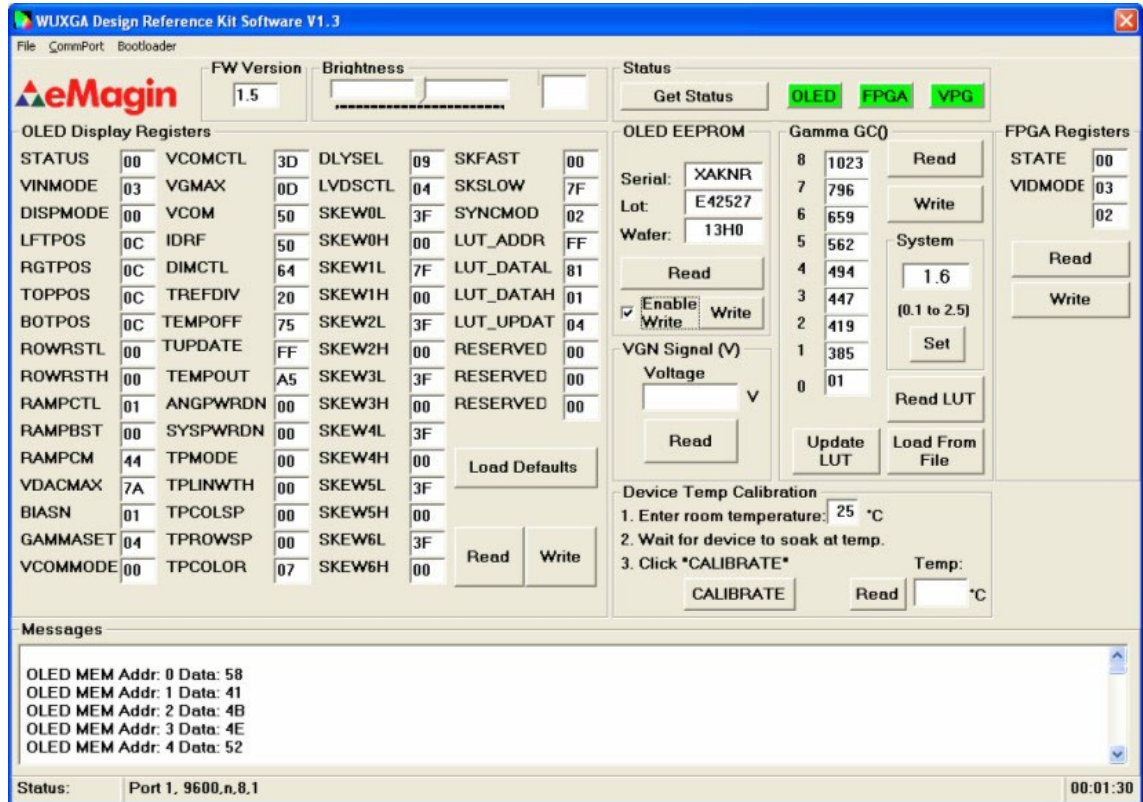


Figure 5-1 WUXGA Design Reference Board Software Utility

- The application communicates with the PIC on the WUXGA Design Reference Board and reads the initial status of the “OLED”, “FPGA” and “VPG”. The result is then displayed as “green” buttons within the Status section on top right side of the software.
- The read/write buttons shown in the “OLED Display Registers” panel will read/write the register settings in their corresponding boxes from/to the OLED microdisplay.
- The read/write buttons displayed in the “FPGA Registers” panel will read/write the settings displayed in the register boxes from/to the WUXGA Design Reference Board’s FPGA.
- The read/write buttons displayed in the “GAMMA GC()” panel will read/write the values used in generating a Gamma table that resides in the FPGA
- The read/write buttons displayed in the “OLED EEPROM” panel will read/write the values stored in the display’s non-volatile memory.

5.2.1. Hardware Protocol

- 1 stop bit, no parity
- 9600 baud
- No hardware handshake

5.3. Downloading New Firmware Versions to the Design Reference Board

The ability to download new versions of the firmware ensures that you will have the latest functionality without having to send your WUXGA Design Reference Board for reprogramming. A utility that downloads and installs new firmware versions is included in the software package.

5.3.1. Using the Firmware Download Utility

Firmware files can be downloaded as hex files. Before attempting to download and install new firmware versions make sure that you have received a firmware hex file from an eMagin source.

To load your firmware files, follow the following steps:

1. Connect the serial cable to the PC and to the RS232 connector on the WUXGA Design Reference Board
2. Connect the power cable to the WUXGA Design Reference Board.
3. Connect your video source to the WUXGA Design Reference Board.
4. Start the **WUXGA_SW_V1_2.exe** application. Select the “Bootloader” menu at the top of the form. A window should appear like that below:

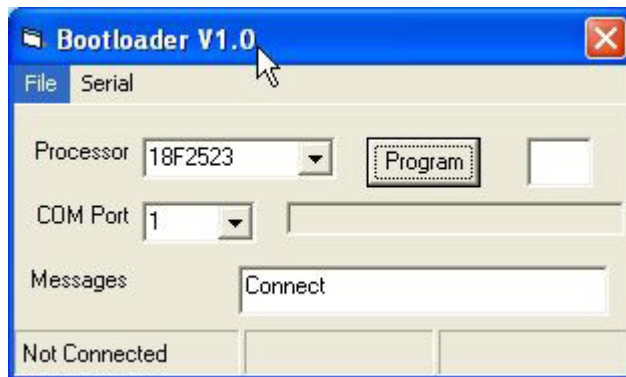


Figure 5-1 Firmware download utility

5. Make sure the following settings are shown
 - a. Processor = 18F2523
 - b. Com Port = 1
6. Click the “Program” button to find the hex file you wish to install.
Note: The power on the WUXGA Design Reference Board should be off while setting up your download. Only turn on the power to the WUXGA Design Reference Board when you are ready to write your new firmware to the PIC.
7. When you turn on the WUXGA Design Reference Board the hex file should begin to upload. The progress bar will turn blue.

8. When the upload is complete, the WUXGA Design Reference Board will run.

6. ADVANCED USER INFORMATION

6.1. Microcontroller

The WUXGA Design Reference Board utilizes a Microchip PIC18F2523 microcontroller. This is a CMOS Flash microcontroller in a 28 pin package. Provisions are on the circuit board for in circuit reprogramming but are not accessible without opening the case. Please refer to the Microchip PIC18F2523 datasheet available from Microchip Technology Inc. for additional information about the microcontroller and programming.

The main function of the microcontroller is to communicate with the OLED display and the FPGA. All communication is over the internal I²C bus and the microcontroller acts as the bus master. On power up the registers of the OLED and FPGA are initialized with the default settings programmed into the microcontroller. After initialization the microcontroller scans for user input and monitors the OLED and FPGA.

6.2. I²C bus

The microcontroller is the bus master and communication occurs at the standard 100KHz clock rate. The microcontroller, the OLED and the FPGA all operate from 2.5VDC so the I²C bus must also operate using 2.5V logic levels. The maximum speed allowed for I²C bus communication is 400KHz. Please refer to the Philips I²C bus specification available on the Philips website for detailed information.

6.3. System Hardware Overview

Figure 6-1 below is a block diagram of the main functions on the WUXGA Design Reference Board.

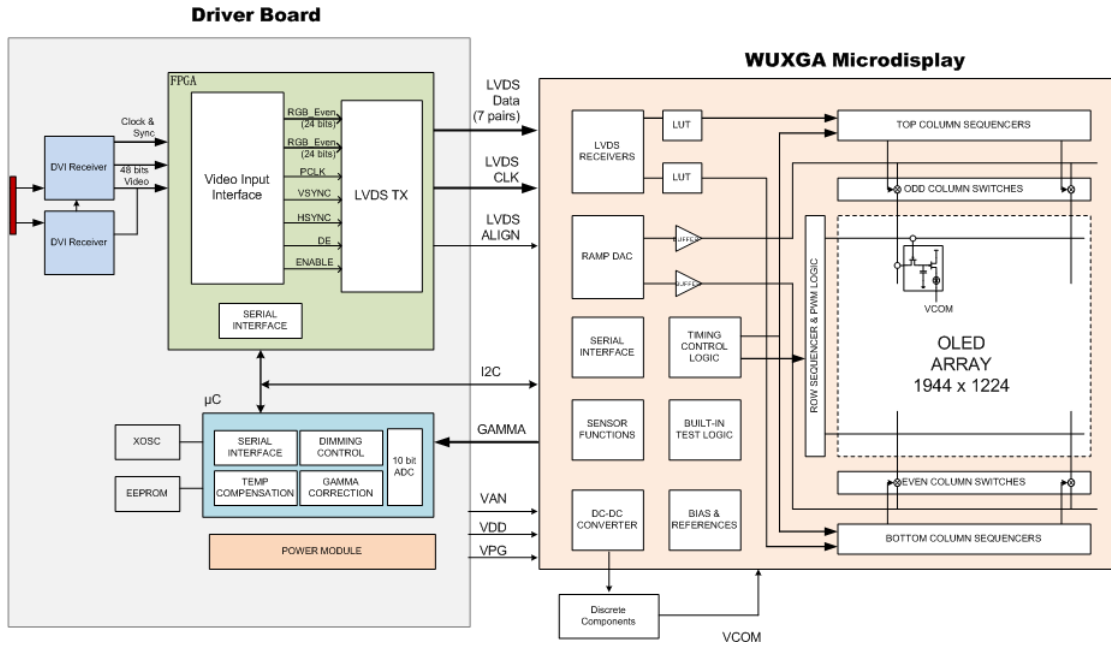


Figure 6-1 System level Block Diagram

6.4. Voltages

The power supply section of the WUXGA Design Reference Board consists of several voltage regulators, some of which are adjustable with potentiometers. Table 6-1 below describes the voltages and their purpose.

Voltage	Range	Typical	Purpose
Vinput	+6.0 Volts to +10Volts	+9Volts	Main Supply
V5	5Volts ±10% (fixed)	5 Volts	LEDS, DAC
V3.3	3.3Volts ±10% (fixed)	3.3 Volts	DVI, RS232
V2.5	2.5Volts ±10% (fixed)	2.5 Volts	FPGA, OLED
VAN	5.0V (adjustable with pot)	5.0 Volts	OLED Anode
VPG	-1.5V (adjustable with pot)	-1.5V	OLED Bias
VDD	1.8V ±10% (fixed)	1.8V	OLED

Table 6-1 shows the board's various power supplies and their purposes

6.5. Bias Control

BIASN: Normal board – BIASN=1 gives the best results.

6.6. VCOM Mode

VCOMMODE:

Dimming: use register VCOM to set brightness level in Manual mode.

6.7. Gamma

To compensate for the non-linear dependency of luminance on the voltage of the OLED diode, the R, G and B signals include internal gamma correction to linearize the pixel response as a function of the input video signal. This gamma correction takes place in the FPGA.

The gamma correction consists of a nine segment piece-wise-linear function whose parameters are set from the pull-down menu or via registers in the “Gamma” panel on the windows software. All three color channels have the same PWL shape.

There are multiple ways to set the Gamma using the windows software. The Gamma section of the software is shown below.

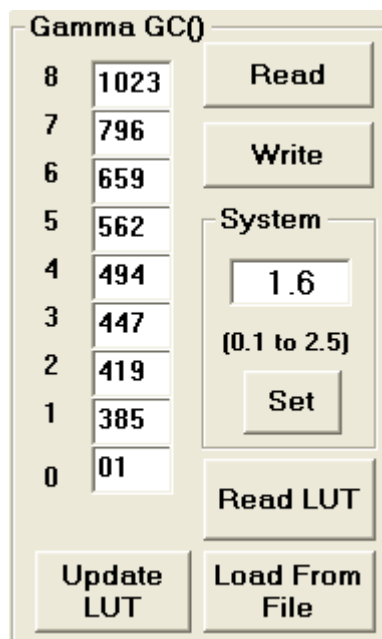


Figure 6-5 The Gamma Section of the Software

6.7.1. Gamma Coefficients GC(0-8)

The 9 boxes in the Gamma section represent the 9 segment piece-wise-linear function that defines the gamma curve. These 9 values are used to calculate the

256 element look-up-table (LUT) that is required to transform input video data into a gamma-corrected data signal for the microdisplay input port. The “Read” button will retrieve the current 9 values from the microcontroller. The user can change any of the 9 values and see the resulting gamma corrected video by pressing the “Write” button.

6.7.2. Preset Gamma Table descriptions

There are 3 Gamma tables programmed into the Microcontroller firmware and can be selected from the windows software. They can be selected by using the pull-down menu in the lower left of the Gamma section. (Preset GAMMAS) Each table was calculated for a linear response at different luminance levels. For instance, Table 0 is for low luminance applications.

6.7.3. Using “Update LUT” Button for Auto-Gamma Correction

The software allows for the immediate update of the gamma tables with the push of a button, “Update LUT”. This button, located in the center of the software form, tells the firmware to calculate the Gamma coefficients using the VGN signal provided by the WUXGA microdisplay. This feature allows the display gamma to be automatically adjusted for any operating conditions of temperature and brightness. The firmware calculates the 9 Gamma coefficients and then the full 256 value lookup table. This lookup table is then loaded, by the firmware, into the FPGA.

6.7.4. Loading the LUT from a file

The software allows for the loading of the gamma tables from a text file. The format is as follows;

```
1
174
396
529
575
583
591
599
607
612
618
.
.
1023
```

Each of the 256 values is on a separate line. This lookup table is then loaded, by the firmware, into the FPGA. There are 3 files shipped with the software package.

6.7.5. The “Read LUT” Button

The software allows for the reading of the full 256 values of the LUT using this button. The result is displayed in the message box at the bottom of the software. The user can scroll through all the values or select and save to a text file. These LUT values are the values before being gray-coded.

6.7.6. System Gamma

The software allows for the overall System Gamma to be set between 0.5 and 2.5 when using the Auto-Gamma feature. This System Gamma can be used to compensate for the gamma of the input video. For example, if the source video is gamma corrected to 2 then setting the System Gamma to 1.9 and pressing the “Set” button will give a better overall gamma response. This does not mean that there is a 1 to 1 relationship between input gamma and the System Gamma.

Figures 6-6 to 6-8 show the grayscale response for a display at several luminance settings obtained by using the “Update LUT” feature and the System Gamma set to 1.

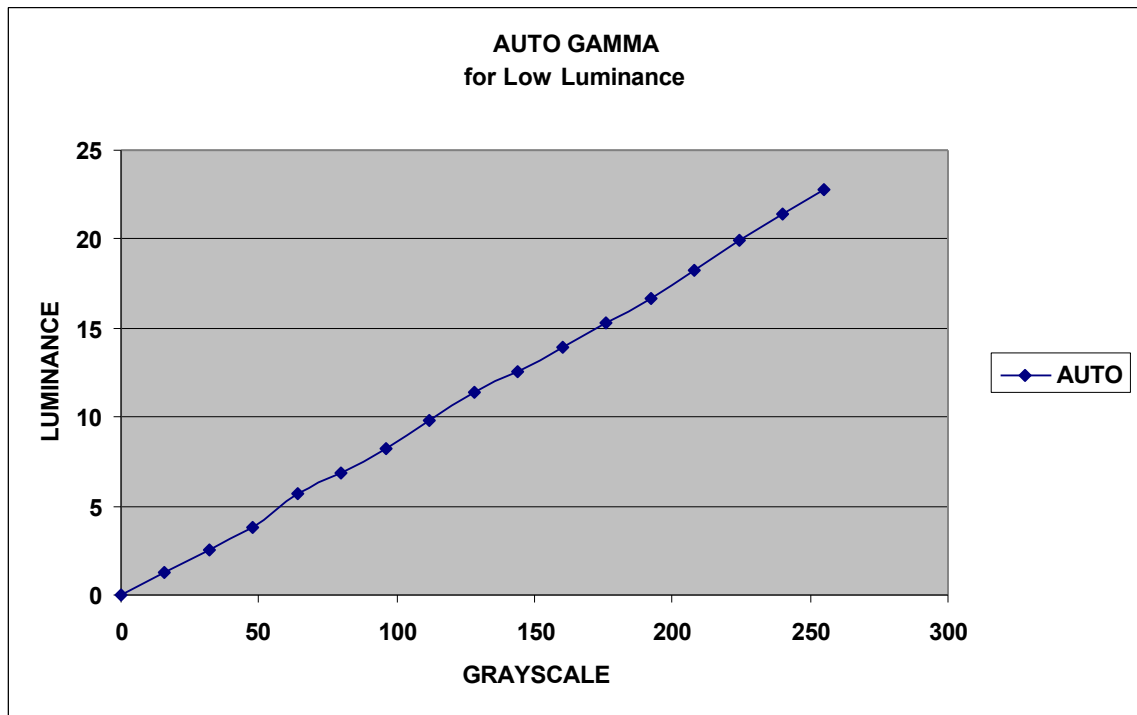


Figure 6-6 Luminance Response for Auto Gamma at Low Luminance

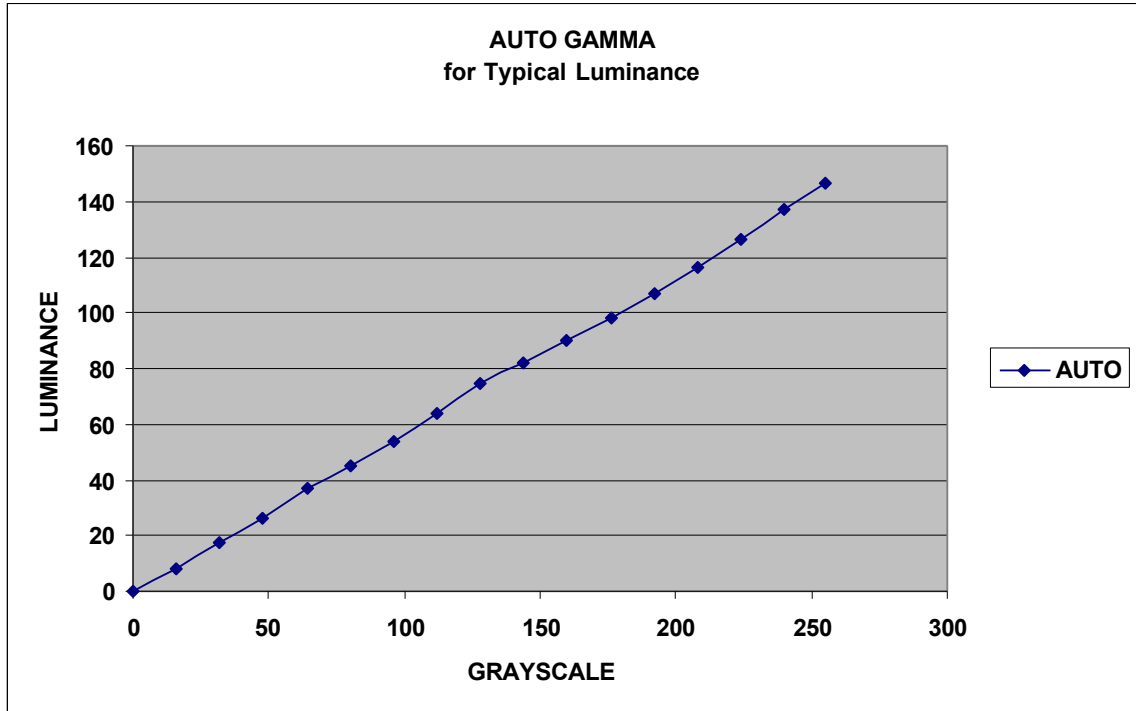


Figure 6-7 Luminance Response for Auto Gamma at Typical Luminance

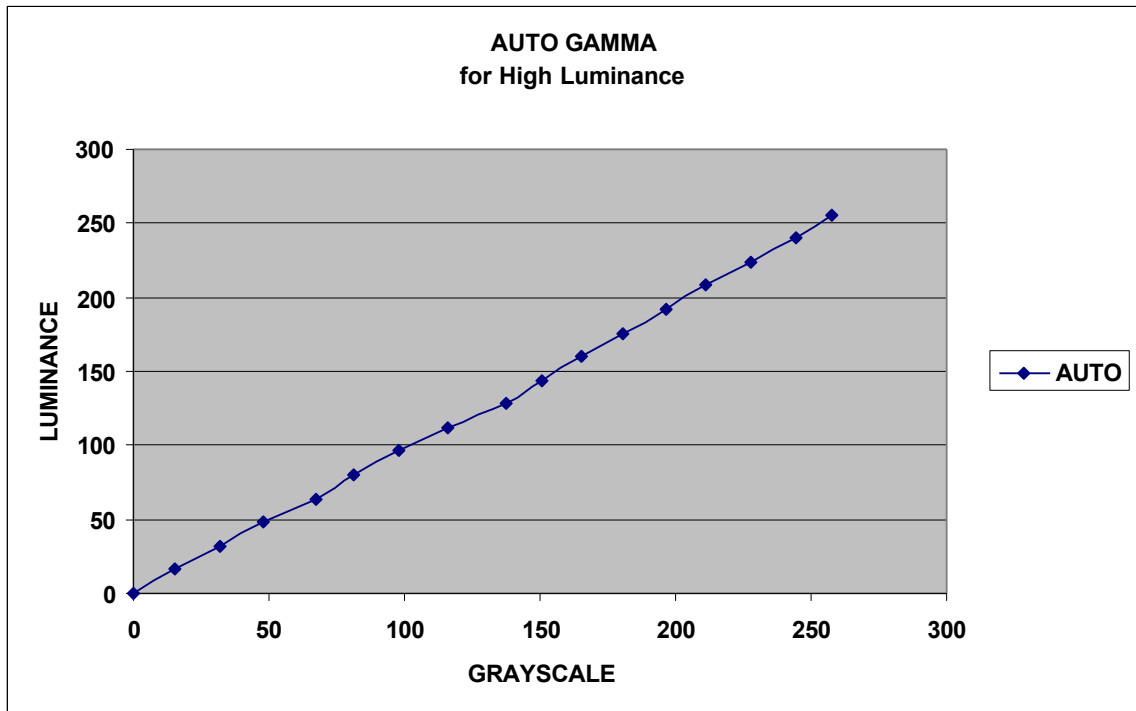


Figure 6-8 Luminance Response for Auto Gamma at High Luminance

7. FPGA

7.1. FPGA Register Map

I2C Slave Address : 010110X

Address (Hex)	Name	Access	Bit Name	Bit #	Reset Value (Hex)	Description
00	STATE	R	REV	2-0	0	Silicon Revision Number
01	VIDMODE	R/W	INTER	2	0	Interlaced video enable (if "1" then generated Field signal goes out to ENABLE pin) 0 = progressive video, 1 = Interlaced video
			VSPOL	1	0	Input Video VSYNC polarity (for FPGA use only) 0 = negative sync, 1 = positive sync
			HSPOL	0	0	Input Video HSYNC polarity (for FPGA use only) 0 = negative sync, 1 = positive sync
02	LVDSCTL	R/W	PRBSEN	2	0	Enable PRBS data out on LVDS_DAT[4] pair 0 = Normal data out, 1 = PRBS data out
			ALNMOD	1	0	Align Mode Enable 0 = Normal, 1 = Align mode (Align data out to LVDS_DAT[2] pair when HS/ALGN pin high)
			SKEWMOD	0	0	Skew compensata mode enable 0 = Normal, 1 = Data and Clock out for auto skew compensata mode

8. REVISION HISTORY

Revision Level	Date	Description
-	10/17/2011	Initial draft
A	5/9/2024	updated logo to eMagin SDC, CF-000107